

13

Parts to assemble:
1 Grease Clip

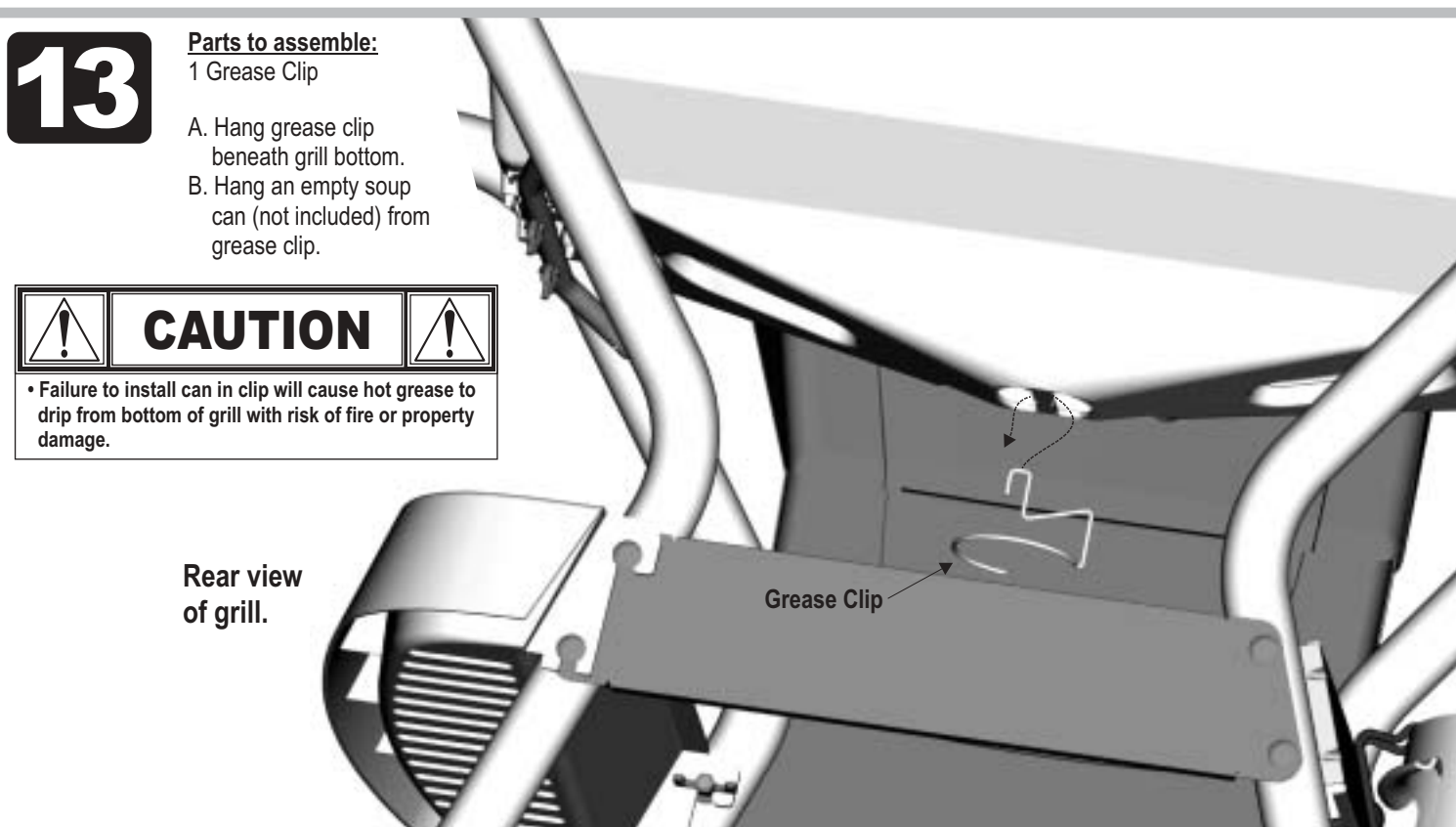
- A. Hang grease clip beneath grill bottom.
- B. Hang an empty soup can (not included) from grease clip.

CAUTION

• Failure to install can in clip will cause hot grease to drip from bottom of grill with risk of fire or property damage.

Rear view of grill.

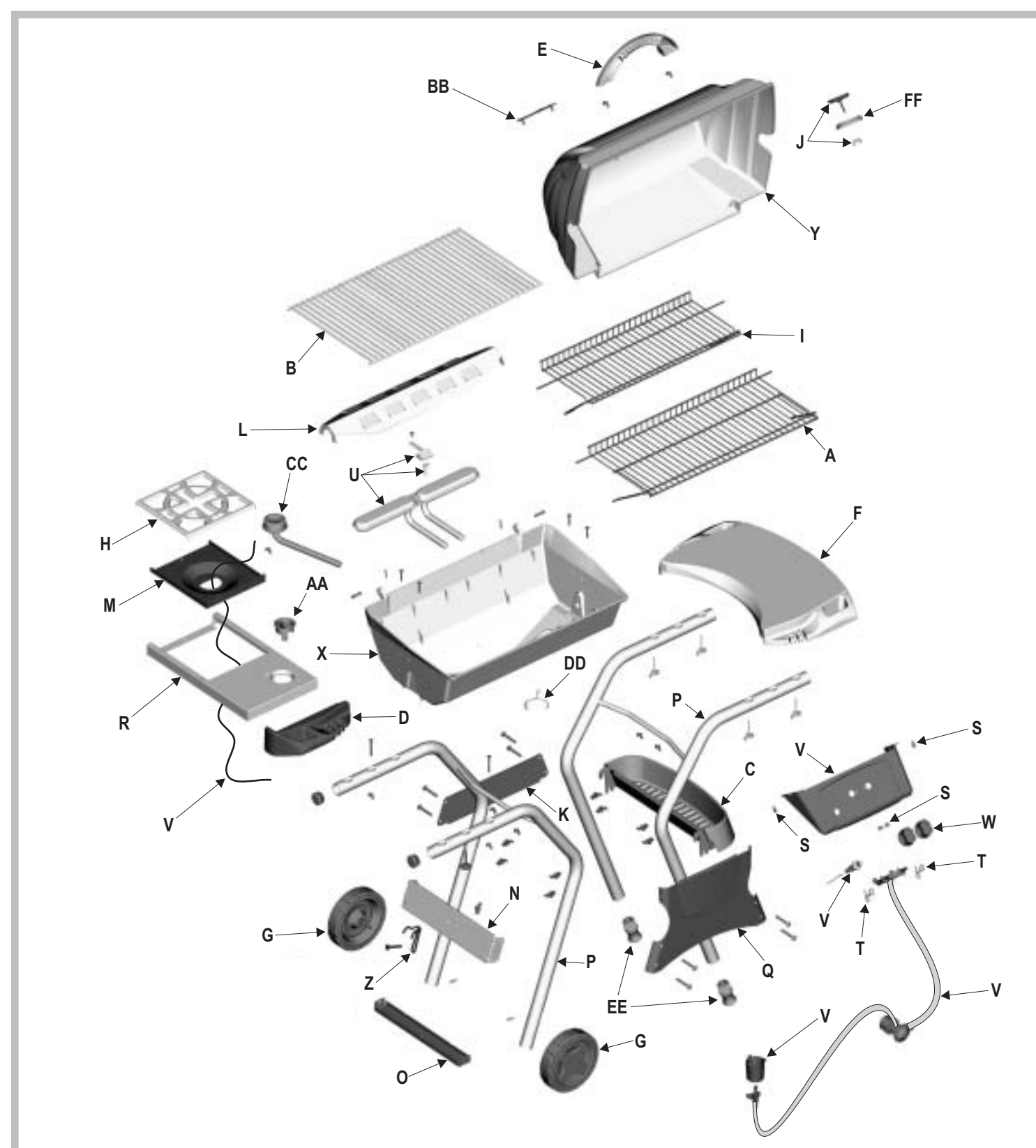
Grease Clip



Parts List - Model 463742704

Key	Qty.	Description	Part #	Key	Qty.	Description	Part#
A	1	Lower SwingAway	4152124	W	2	Control Knob	4154470
B	1	Cooking Grate	4152739	X	1	Grill Bottom	4580184
C	1	Condiment Basket	4154271	Y	1	Grill Lid	4580587
D	1	Tool Holder	4154273	Z	1	Tank Retainer Wire	4151018
E	1	Handle	4154488	AA	1	Sideburner Knob	4154471
F	1	Side Shelf	4154542	BB	1	Logo Plate	4157147
G	2	Wheel Assembly	4310002	CC	1	Sideburner	5068026
H	1	Sideburner Grate	4156179	DD	1	Grease Clip	5156607
I	1	Upper SwingAway	4156448	EE	2	Leg Extender	4154540
J	1	Temperature Gauge with Wing Nut	4157171	FF	1	Temperature Gauge Bezel	4157169
K	1	Back Support Brace	4500251		1	Hardware Bag, Cart	4254079
L	1	V Bar	4500290		1	Hardware Bag, Shelf	4254050
M	1	Sideburner Frame	4501705		1	Hardware Bag, Sideburner	4254086
N	1	Side Support Brace	4503120				
O	1	Tank Support Bracket	4503122				
P	2	Leg Assembly	4503229				
Q	1	Front Panel	4503136				
R	1	Sideburner Body	4310005				
S	4	#10x1/2", T-20, Self-Tap Screw	4080043				
T	2	Valve Clip	4151043				
U	1	Burner/Collector Assembly	4505084				
V	1	Control Panel Assembly	4530184				

Optional Assembly Hardware
We realize some customers prefer to use tools. **Optional hex nuts** have been provided for you to use.



NOTHING SHOULD COME BETWEEN A MAN AND HIS FLAME.



463742704 / 0-4165374 (12-03-03)

QUICKSET®

463742704
ASSEMBLY MANUAL



THIS GRILL IS FOR OUTDOOR USE ONLY

CAUTION: Read and follow all safety statements, assembly instructions, and use and care directions before attempting to assemble and cook.

INSTALLER/ASSEMBLER: Leave these instructions with consumer.

CONSUMER: Keep this manual for future reference.

WARNING

Failure to follow all manufacturer's instructions could result in serious personal injury and/or property damage.

CAUTION

Some parts may contain sharp edges – especially as noted in the manual! Wear protective gloves if necessary.

If you have any questions or need assistance during assembly, please call 1-800-241-7548.

Visit us on the web at:
www.charbroil.com

Char-Broil®
KEEPERS OF THE FLAME
COLUMBUS, GA